

# S6-100

## Three Phase Panel Meter



**TAIK ELECTRIC**

## FEATURE

- Extreme accuracy up to 0.2%
- Programmable adjustment for current or voltage transformers ratio
- Memory of all setting value over ten years
- Neutral current can be indicated
- Option for Rs485 or relay output
- Outside dimension compatible for DIN standard 144 x 144mm

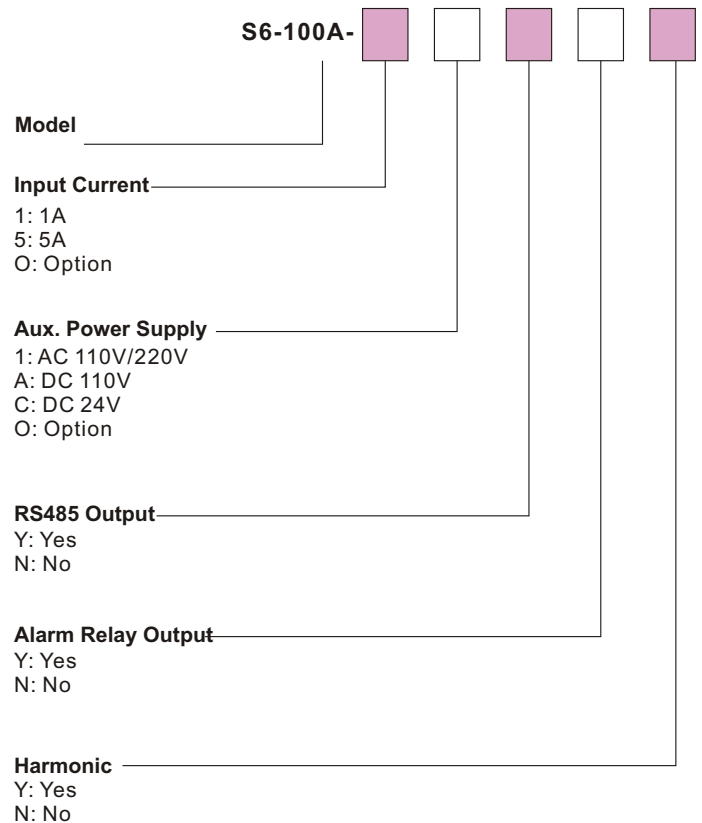
## GENERAL SPECIFICATION

S6-100A	for 3 phase current meter
S6-100V	for 3 phase voltage meter
S6-100VA	for 3 phase current/voltage meter
Accuracy performance range	2 ~ 120%
Input signal frequency	45 ~ 70HZ
Distortion level	from 10% to 120%
Each phase isolation	600V
Digital format	3 rows of 4 digits
LED display	red, 0.56", 14.2mm
Power supply	AC 110V/220V ± 15%, 50/60HZ or DC 110V, 24V ± 10%
Power supply burden	(AC) ≤ 5VA, (DC) ≤ 5W
Dielectric strength	IEC 688, AC 2.3KV 1 minute between Input/Power/Output AC 2.8KV 1minute for all terminal/ground
Operating temperature	0 ~ 60 °C
Storage temperature	-10 ~ 70 °C
Temperature coefficient	≤ 100 PPM/ °C
Max. humidity	95%
RS 485 protocol*	MODBUS, RTU framing
Baud rate*	1200 ~ 38400 programmable
Address range*	1 ~ 255 programmable
Data format*	N.8.1/N.8.2/O.8.1/E.8.1 pro.
Number of meter*	Up to 32 on standard RS485
Alarm set point*	2 point
Relay contacts*	SPST, AV 240V 1A, DC24V 1A
With standard impulse voltage	IEC 61000-4-5
Electrical transient in burst	IEC 61000-4-4
Electromagnetic field immunity	IEC 61000-4-2
Wave damping	IEC 61000-4-3
*Option function	IEC 255-4

## S6-100A

Accuracy	0.2% F.S.
	Neutral current 1% F.S.
Current range	5A or 1A
Maximum overload	6A continuous, 50A 5 sec. 15A, continuous, 250A 1 sec. (option)
Input burden	≤ 0.1VA
Starting current	1% F.S.
Total harmonic accuracy (31th)	2% F.S.

## ORDERING INFORMATION



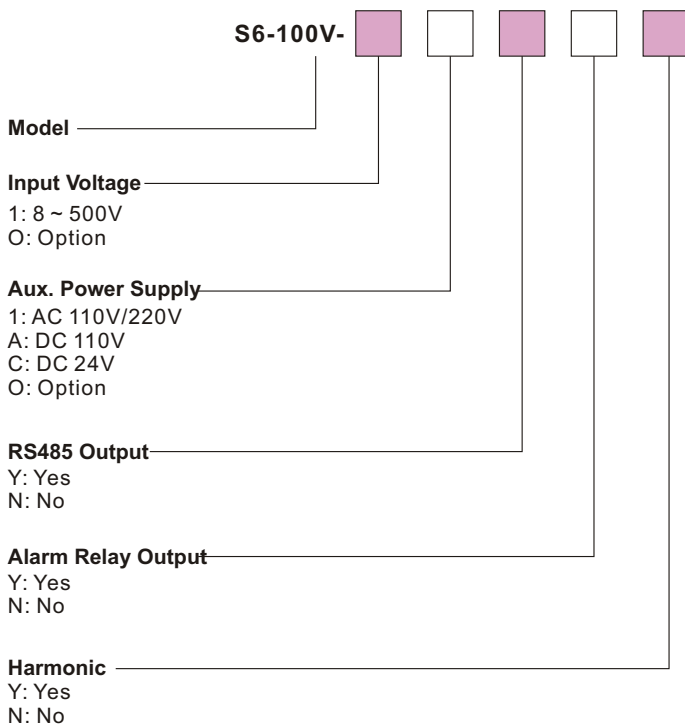
## ■ S6-100V

Accuracy..... 0.2%F.S.  
 Voltage range..... (L-L) 8 ~ 500V, (L-N) 5 ~ 290V  
 Maximum over load..... 750V  
 Input impedance.....  $\geq 200K\Omega$ .  
 Total harmonic accuracy (31th)..... 2% F.S.

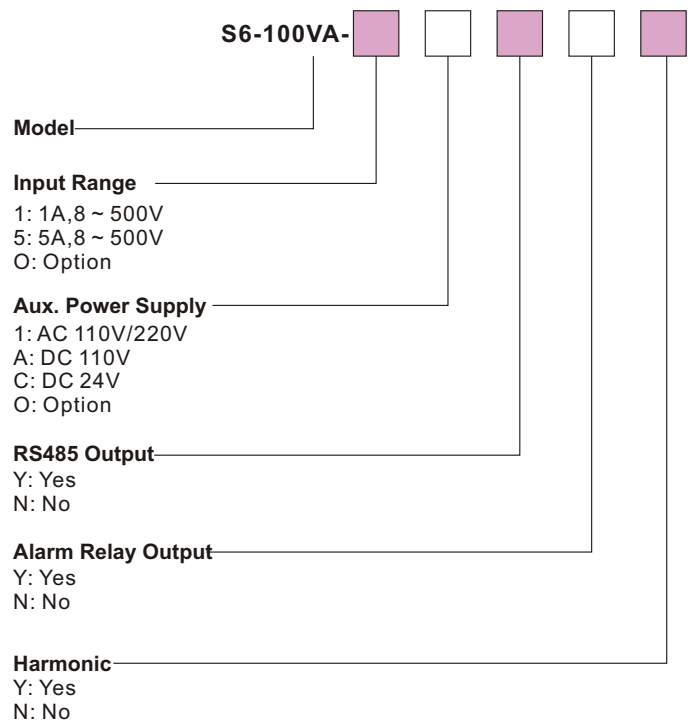
## ■ S6-100VA

Accuracy..... 0.2%F.S.  
 Input range..... Volt.(L-L) 8 ~ 500V, (L-N) 5 ~ 290V  
 Current 5A or 1A  
 Maximum over load..... Volt. 750V  
 Current 6A, continuous, 50A 5 sec.  
 Current input burden.....  $\leq 0.1VA$   
 Voltage input impedance.....  $\geq 200K\Omega$ .  
 Total harmonic accuracy (31th)..... 2% F.S.

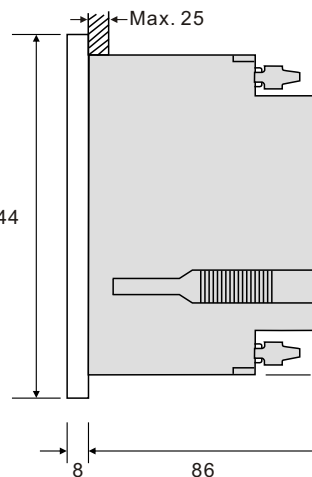
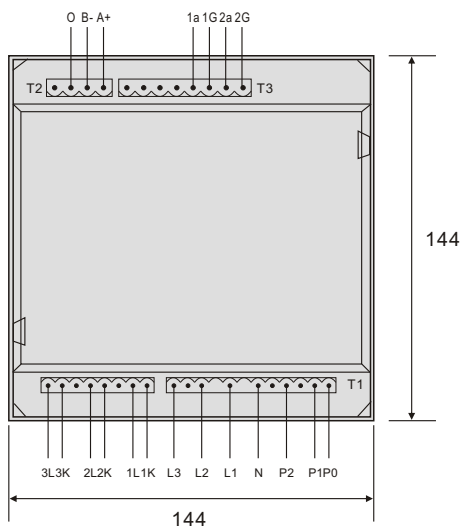
### ORDERING INFORMATION



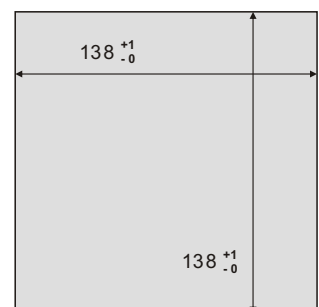
### ORDERING INFORMATION



### OUTSIDE DIMENSION(Unit:mm)



#### ● Panel Cut-Out

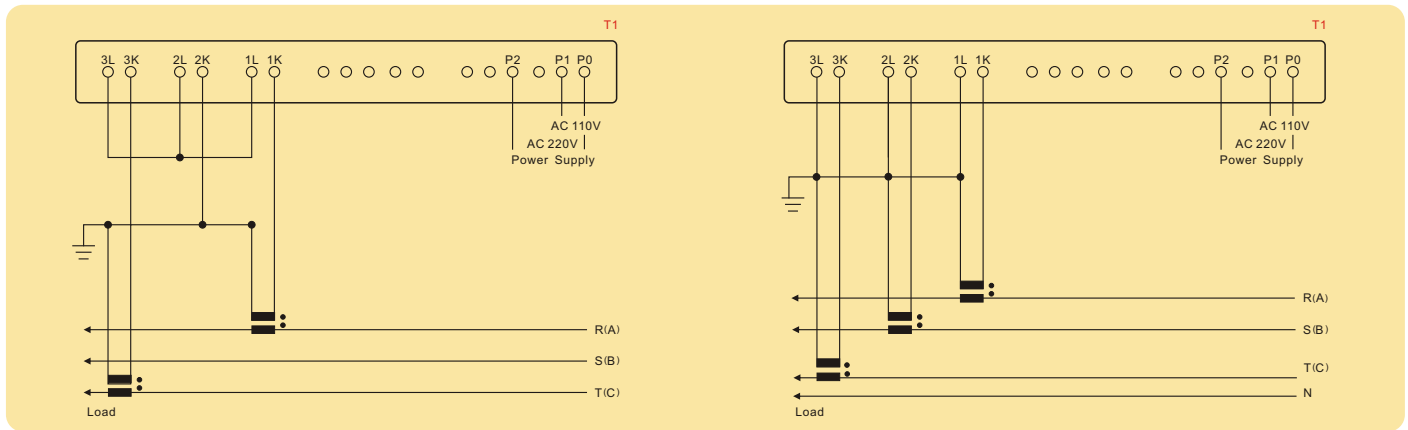


# Three Phase Panel Meter

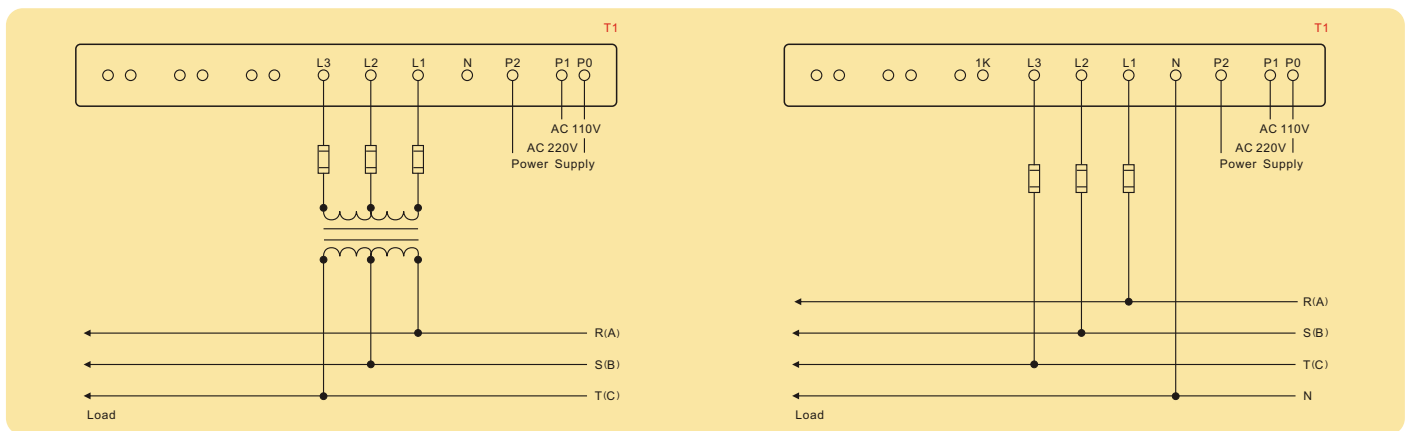
# S6-100

## CONNECTION

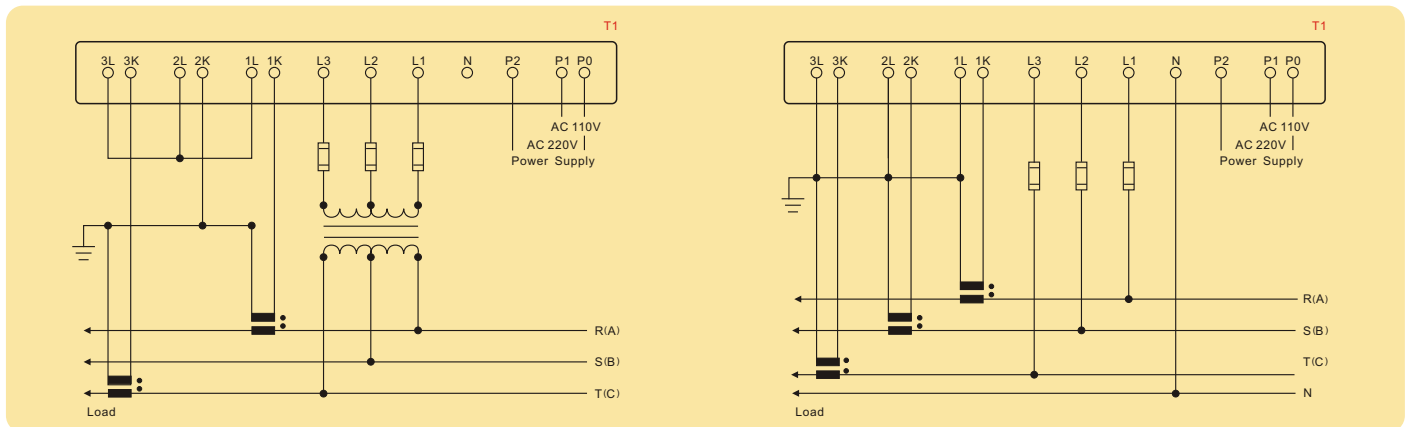
### S6-100A



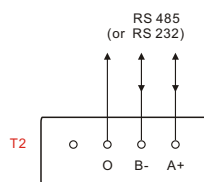
### S6-100V



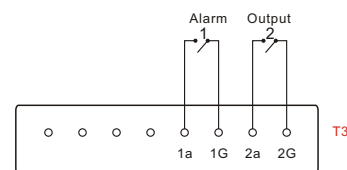
### S6-100VA



#### • RS485 OUTPUT (Option)



#### • RELAY OUTPUT (Option)



**TAIK ELECTRIC CO., LTD.**

4TH FL., NO.5, ALLEY 11, LANE 327, CHUNG SHAN RD.,  
 SEC.2, CHUNG HO SHIEH, TAIPEI HSIEN, TAIWAN, R.O.C.  
 TEL: 886-2-22426825 E-mail: taikco@ms15.hinet.net  
 FAX: 886-2-22426827 http://www.taik.com.tw